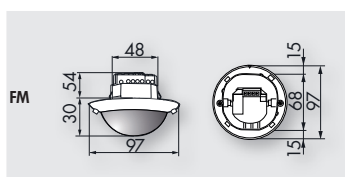
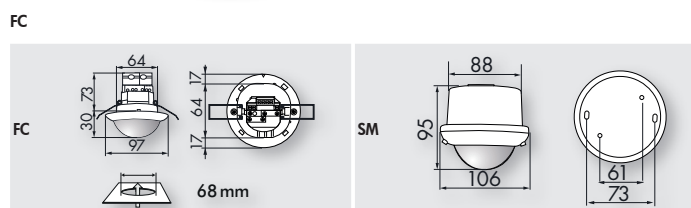
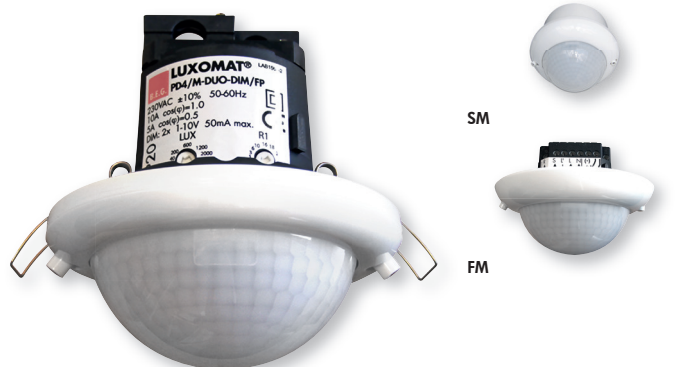


PD4-M-DUO-DIM-SM/-FC/-FM

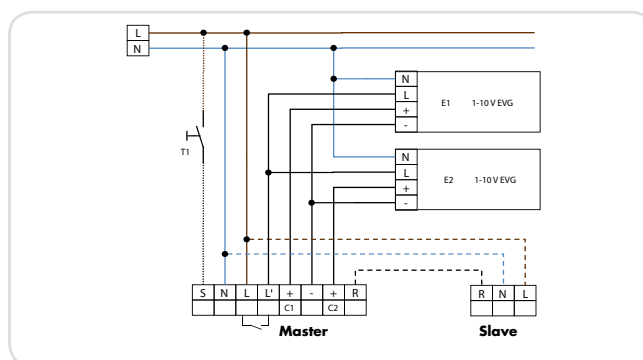
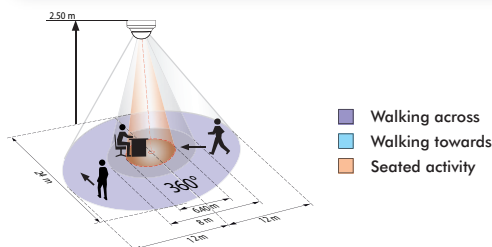


i PRODUCT INFORMATION

- Occupancy detector for two separate lighting groups, for day-light-dependent lighting control
- Two 1-10 V interfaces for control of dimmable electronic ballasts
- One common detection area
- Two independent, movable light sensors
- Push button manual switching and dimming available
- Installation as Master
- Detection area can be extended with Slave units
- Additional functions can be set via optional remote control

■ TECHNICAL DATA

- ⚡ 110-240 V AC , 50 / 60 Hz
- ⏻ ca. 0.5W
- ☂ 360°
- Ø 24 m across
- Ø 8 m towards
- Ø 6,4 m small movements
- IP □ SM= IP44 FC= IP20 FM= IP20 / Class II
- 🌡 -25 °C to +50 °C
- 📺 Housing UV- and shock resistant polycarbonate
- 📡 IR-PDim, IR-PD-DIM-Mini
- Channel 1 and Cannel 2 (control the lighting)**
- ⚡ 2300 W, cos φ = 1
- ⚡ 1150 VA, cos φ = 0.5
- 🕒 1 - 30 min
- 🌙 10 - 2000 Lux
- 📡 1-10V 2 dim outputs 1-10 V DC, max. 50 EB's



Description	Colour	Part number
PD4-M-DUO-DIM-FC	white	92272
PD4-M-DUO-DIM-SM	white	92271
PD4-M-DUO-DIM-FM	white	92273
Accessory (optional)		
IR-PDim	grey	92200
IR-PD-DIM-Mini	grey	92098
Wire basket BSK (Ø 200 x 100)	white	92199