

Wallmounting Distribution Boards 2-8 modules IP40

Surface mount distribution boards made of self-extinguishing Polystyrene. CT6T & CT8T can be equipped with PE/N terminal bars. See page 78.

Material Polystyrene (PS-HI)
Temperature range -15°C....+60°C
Mode of protection IP40
Color RAL 7035
Glow wire test 650°C acc.to IEC 60695-2-11
Halogen-Free



E-21 672 82 (CT2)



E-21 672 84 (CT4)

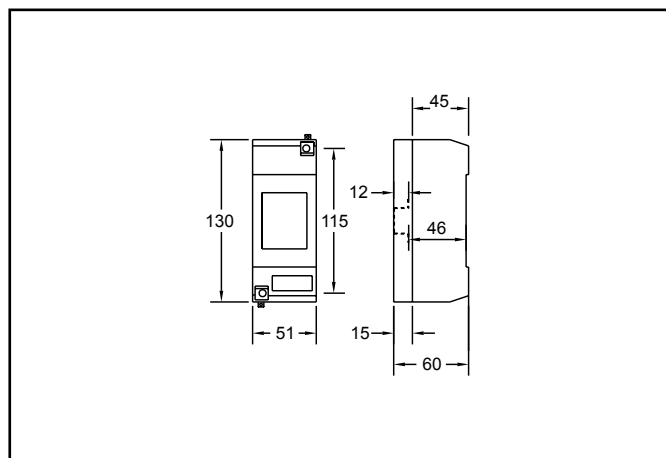


E-21 672 86 (CT6T)

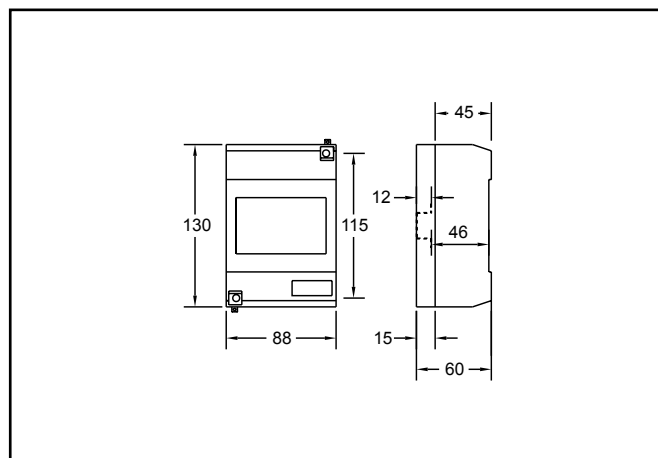


E-21 672 88 (CT8T)

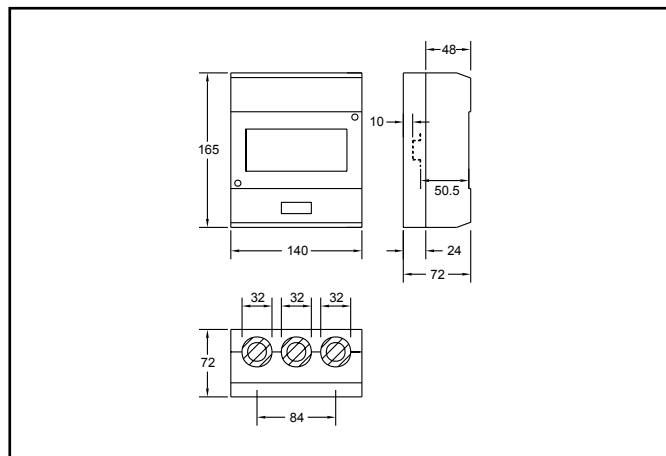
E-number	Article no.	No. of modules	Height mm	Width mm	Depth mm		Pcs/ pack
21 672 82	CT2	1-2	130	51	60		1
21 672 84	CT4	3-4	130	88	60		1
21 672 86	CT6T	4 - 6	165	140	72		1
21 672 88	CT8T	4 - 8	200	198	72		1



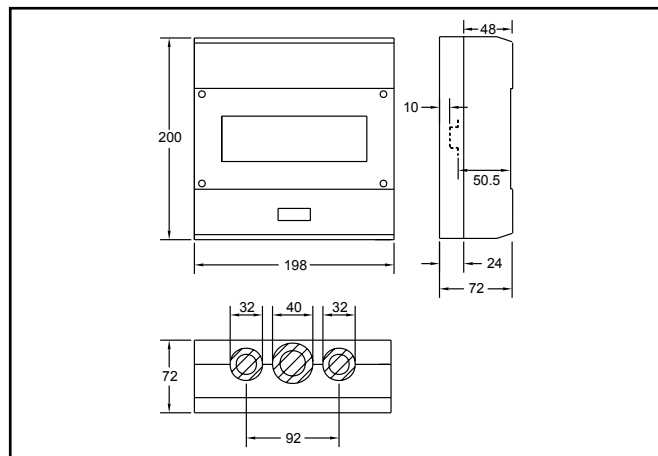
E-21 672 82 (CT2)



E-21 672 84 (CT4)



E-21 672 86 (CT6T)



E-21 672 88 (CT8T)